

FARMALL® COMPACT

FARMALL COMPACT



CASE II

CASE II

FARMALL®

A REMARKABLE HISTORY DRIVEN BY INNOVATION

It all started with a revolutionary design back in 1923, and over the years the Farmall tractors evolved to meet the operators' changing needs, on and off the farm still going strong today.

FIRST GENERATION: 1923 – 1939

THE BEGINNING OF THE FARMALL SUCCESS STORY

- These “all purpose” tractors could pull heavy harvesting and tillage machines, and plant and cultivate row crops.
- Front mounting of the cultivator was the key to success.
- Launched in 1931, the F series was designed for farmers with 200+ acres who needed a more powerful 3-plow tractor.
- The F series featured new technologies like PTO, 4-speed transmission, gasoline engines, foot-to-floor pedal control, and rubber tires.
- In 1936, the Farmall paint color changed from “battleship gray” to the trademark Harvester Red #50.



SECOND GENERATION: 1939 – 1954

THE FAMOUS LETTER SERIES

- IH launched the Letter series featuring A and B (small-sized), H (middle-sized) and M (large-sized) tractors.
- Raymond Loewy’s “Culti-Vision” design moved the operator to the right of the engine for improved visibility. This feature remained in production for 40 years.
- The Farmall Super M-TA featured a torque amplifier, enabling operators to shift between two gears on-the-go or under load – an industry first.
- The 2-point Fast-Hitch on Farmall Super C tractors made it easy to attach rear-mounted implements.



THIRD GENERATION: 1954 – 1958

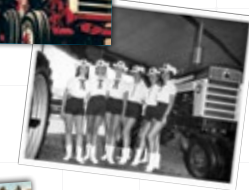
THE FARMALL NUMBER SERIES

- To meet demand for more power in the field, the Farmall number series (100, 200, 300 and 400) now replaced the letter series.
- The 300 and 400 models featured the torque amplifier, plus ten forward and two reverse gears.

FOURTH GENERATION: 1958 – 1962

A NEW WORLD OF POWER

- The Farmall 460 was the smallest of the 6-cyl. tractors and the diesel version had a direct-start system built by International Harvester.
- From 1958 to 1963 the Farmall 560 tractors were one of the most popular models sold in the US. Farmers liked the smooth economical 6 cyl. engine, independent power take off and the Torque Amplifier.



FIFTH GENERATION: 1963 – 1966

TOTAL POWER

- The Farmall 706 and 806 were the first all-new tractor designs from International Harvester in nearly 30 years.
- The 806 was marketed as the world’s most powerful and toughest all-purpose tractor, with the all new D361 engine.
- In 1965, the Farmall 1206 Turbo was the first 2WD row-crop tractor to exceed 100 hp.



SIXTH GENERATION: 1967 – 1974

NEW HEAVYWEIGHTS

- The Farmall 656 tractor featured a continuously variable hydrostatic transmission for precise matching of speed and power for any job.
- On Feb. 1, 1974, a Farmall 1066 was the 5,000,000th International Harvester tractor rolled off the assembly line. IH was the first tractor manufacturer in the world to claim this distinction.



SEVENTH GENERATION: 2003 – PRESENT

FARMALL REBORN

- In 2003, Case IH reintroduced the Farmall series with a line of compact tractors designed for small farms and residential acreage.
- In 2012, Case IH introduced Farmall A, B and C series – tractors that combined utility engineering with advanced technology.
- Case IH continues to build on the Farmall legacy with the release of Farmall utility 55A, 65A and 75A tractors in 2018. In 2020, Farmall utility 95A, 105A and 115A tractors entered the marketplace.



US FARMING STATS

	1920s	1930s	1940s	1950s	1960s	1970s	2000s
US Population	105,720,620	122,775,046	131,820,000	151,132,000	180,007,000	240,335,000	290,800,000+
Farm Population	31,614,269	30,455,350	30,840,000	25,058,000	15,635,000	9,712,000	2,150,000
Labor Force	27% farmers	21% farmers	18% farmers	12.2% farmers	8.3% farmers	4.6% farmers	1.6% farmers
Number of Farms	6,454,000	6,295,000	6,102,000	5,388,000	3,711,000	2,780,000	2,166,780
Average Acreage	148	157	175	216	303	390	440





RUGGED. RELIABLE. HARD-WORKING.

Farmall compact series tractors are rugged, dependable machines for tackling your operation's toughest chores. With a range of configuration options, you can spec your compact tractor to meet your unique needs. Our compact tractors are designed to turn novice users into expert operators with a simple, easy-to-use package—so you can be ready for any task that comes your way.

PEACE OF MIND IS PART OF THE PACKAGE

Case IH Farmall compact A and C series tractors come with a 6-year extended warranty. That's 72 months with peace of mind at no additional cost. Built to tackle tough chores, these dependable tractors make every dollar work as hard as you do. Every tractor is versatile, reliable and easy-to-use and won't break your budget.



FARMALL COMPACT

A Farmall for Everyone 6-9

Transmission Options 10

STANDARD COMPACT

Farmall compact 35A/40A 12-15

DELUXE COMPACT

Farmall compact 35C/40C/45C/50C/55C 16-19

ADD ONS

Loaders 20-21

Attachments 22-23

Implements 24-27

Tires 28-29

Specifications 30-31



THERE'S A FARMALL FOR EVERYONE

More options. Better value.

With a range of models, configurations and available features, you can count on Farmall compact tractors to maximize uptime, productivity and value.

UNMATCHED OPERATOR COMFORT

- Farmall compact series tractors feature **spacious operating environments with ergonomically placed controls**, easy-to-read instrument clusters and exceptional visibility—features that increase comfort and reduce fatigue.

EASY-TO-OPERATE

- With many standard features and numerous available options, these tractors are easy to operate, allowing you to complete those everyday chores without hassle. The enhanced control layout quickly turns novice users into expert operators.

HEAVIER WEIGHT AND DURABILITY

- Farmall tractors enable you to **push, pull and lift more**. That's because the tractor is engineered with **heavier weights where it counts**—the front and rear axles, final drive and the transmission housing.

MAXIMUM UPTIME

- Farmall compact series tractors feature a **300-hour engine oil service** interval so you can stay productive.

BETTER POWER PERFORMANCE

Farmall compact series tractors feature electronically controlled indirect fuel injection to provide:

- **Faster throttle response** and recovery under load.
- **Quieter engine operation**, decreased vibration and less operator fatigue.
- **Greater torque rise and lugging power** to tackle tough jobs like moving heavy loads with a loader or cutting thick grass.



THE RIGHT SIZE FARMALL COMPACT TRACTOR FOR THE JOB

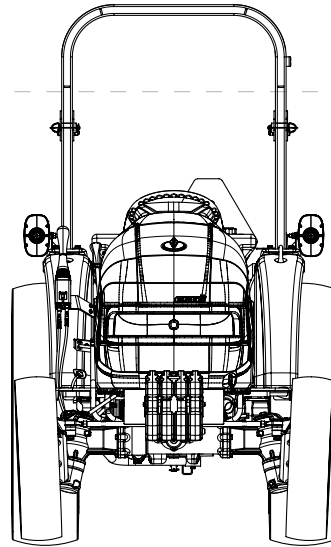
Identify the best compact tractor for your unique needs.

6-foot operator

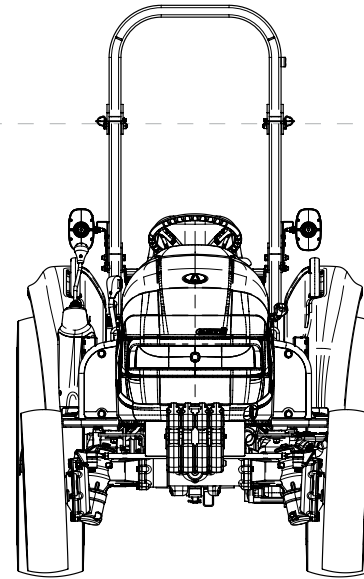


Find the right tractor for your operation with the **Right Red Tractor Tool** on caseih.com.

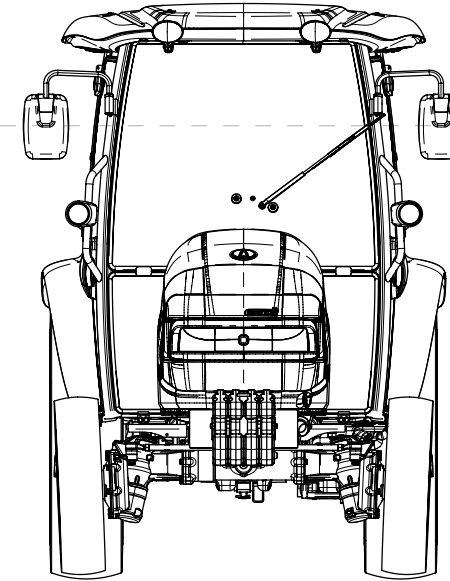
87.7 in. to top of ROPS
68.2 in. to ROPS when folded



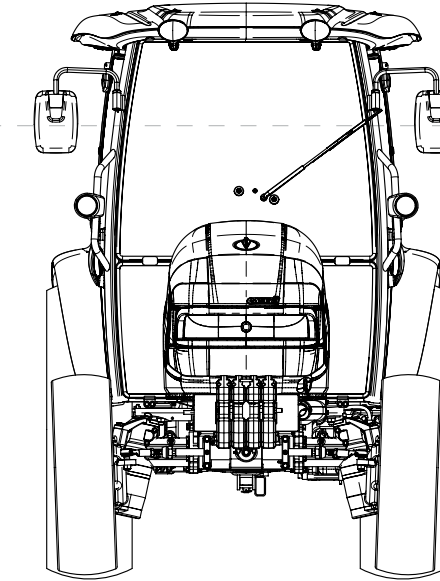
92.7 in. to top of ROPS
74.1 in. to ROPS when folded



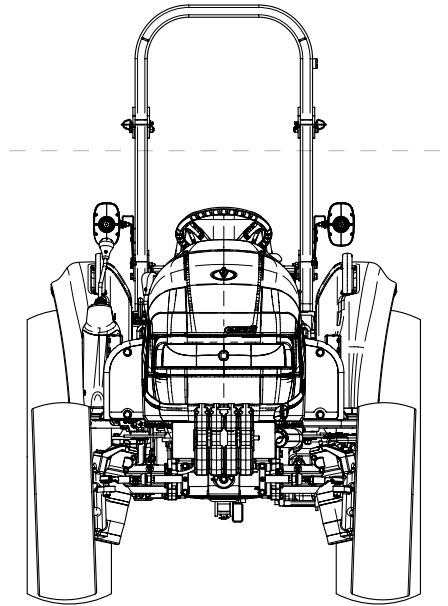
93.3 in. to top of Cab



93.3 in. to top of Cab



97.1 in. to top of ROPS
78.6 in. to ROPS when folded



With Farmall compact tractors from 28 to 46.7 PTO horsepower, there's a hard-working, reliable model that's right for your operation.

Height dimensions are given using a standard industrial tire for each model series. Heights may vary depending on the specific tire size. This chart is intended to give you an overall impression of important specs that may be helpful when considering the purchase of a Farmall compact tractor.

STANDARD COMPACT (NON-CAB)

MODELS 35A/40A

- 3,000 lb. class
- **MFD Wheelbase:** 67 in.
- **Configurations:**
 - Non-cab
- **Emissions Treatment**
 - Internal exhaust gas recirculation (EGR) with diesel oxidation catalyst (DOC) and a diesel particulate filter (DPF). No DEF required.

STANDARD COMPACT (NON-CAB)

MODEL 35C

- 3,000 lb. class
- **MFD Wheelbase:** 66 in.
- **Configurations:**
 - Non-cab
- **Emissions Treatment**
 - Internal exhaust gas recirculation (EGR) with diesel oxidation catalyst (DOC) and a diesel particulate filter (DPF). No DEF required.

DELUXE COMPACT (CAB)

MODEL 40C

- 3,000 lb. class
- **MFD Wheelbase:** 66 in.
- **Configurations:**
 - Cab
- **Emissions Treatment**
 - Internal exhaust gas recirculation (EGR) with diesel oxidation catalyst (DOC) and a diesel particulate filter (DPF). No DEF required.

DELUXE COMPACT (CAB)

MODELS 45C/50C/55C

- 4,000 lb. class
- **MFD Wheelbase:** 73.2 in.
- **Configurations:**
 - Cab or non-cab
- **Emissions Treatment**
 - Internal exhaust gas recirculation (EGR) with diesel oxidation catalyst (DOC) and a diesel particulate filter (DPF). No DEF required.

DELUXE COMPACT (NON-CAB)

MODELS 45C/50C/55C

- 4,000 lb. class
- **MFD Wheelbase:** 73.2 in.
- **Configurations:**
 - Cab or non-cab
- **Emissions Treatment**
 - Internal exhaust gas recirculation (EGR) with diesel oxidation catalyst (DOC) and a diesel particulate filter (DPF). No DEF required.

POWER THROUGH EVERY CHORE

Choose the transmission that works for you.

Whether you demand the simplicity of a **mechanical transmission**, the convenience of **clutchless operation** or the flexibility of a **wide range of speeds**, we've got a Farmall transmission to fit the bill.

A MECHANICAL SHUTTLE

The **mechanical transmissions** on all Farmall tractors give you more of what you need—the right speed for every job—with **more speeds in the critical 2–5 mph working range**. Equipped with a **synchro shuttle** to easily shift between forward and reverse without coming to a complete stop.

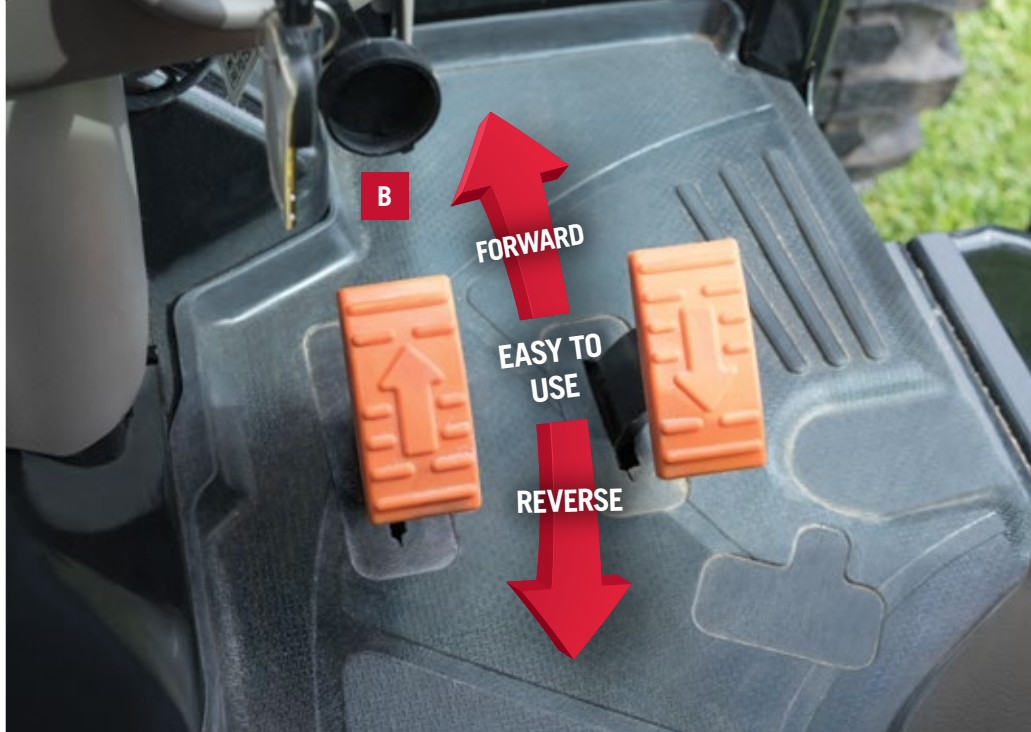
MECHANICAL SHUTTLE 12 × 12	
STANDARD (A SERIES)	DELUXE (C SERIES)
35A, 40A	35C, 40C
3 non-synchronized ranges and 4 non-synchronized gears	3 non-synchronized ranges and 4 non-synchronized gears

MECHANICAL SHUTTLE 16 × 16	
STANDARD (A SERIES)	DELUXE (C SERIES)
N/A	45C, 50C, 55C
	4 non-synchronized ranges and 4 synchronized gears

B HYDROSTATIC (3-RANGE)

There's no shift lever, range lever, or clutch. Just a **simple, comfortable, 2-pedal operation** – one for forward and one for reverse - as well as standard cruise control.

3-RANGE HYDROSTATIC	
STANDARD (A SERIES)	DELUXE (C SERIES)
35A, 40A	35C, 40C, 45C, 50C, 55C



FARMALL COMPACT A SERIES
STANDARD (NON-CAB)



FARMALL COMPACT C SERIES
DELUXE (CAB)



FARMALL COMPACT C SERIES
DELUXE (NON-CAB)



STANDARD COMPACT

COMPACT A SERIES

FARMALL COMPACT 35A / 40A | 35 – 40 ENGINE HP*

The Farmall compact 35A and 40A models offer non-cab configurations in a simple, reliable package for maximum versatility.

STANDARD FEATURES:

- 3-cylinder, 1.9-L engine (Tier 4 B/Final)
- 12 × 12 mechanical transmission

OPTIONAL FEATURES:

- 3-range hydrostatic transmission with cruise control
- Mid-mount PTO

CONFIGURATIONS:

- Non-cab, MFD



*See specs for details.



FARMALL COMPACT 35A/40A

ROOM TO WORK. SIMPLE OPERATION

- A spacious, **semi-straddle operator's platform** is stamped for good grip, and for draining water and debris.
- A **foldable ROPS** enables easy operation in areas with low overheads, while a **FOPS canopy** is available for protection from the sun and rain.
- **All controls are within easy reach**, while functions and positions are common with those of the rest of the Farmall tractor lineup.
- A comfortable **adjustable suspension seat** helps you see the day's projects through to the finish, and tilts forward to help it stay dry and clean.
- **Easy-to-read digital dashboard gauges** feature temperature and fuel gauges, tachometer, hour meter and operational indicators just behind the standard tilt steering column.

DESIGNED FOR VERSATILITY

- The **standard 12 × 12 mechanical shuttle transmission** provides three ranges and four speeds for a total of 12 forward and 12 reverse gears.
- For added versatility, choose the **optional 3-range hydrostatic transmission** with a simple, comfortable 2-pedal operation—one forward and one reverse—as well as standard cruise control.
- Choose from standard **independent PTO with electro-hydraulic engagement** and 540 rpm, or the **optional mid-PTO** with 2,000 engine rpm for a mid-mount mower or front-mount snow blower. (Achieved at 2,600 engine rpm rated engine speed.)
- For tasks that require a steady engine rpm, such as powering a spray pump or other PTO-driven implements, just press the **constant engine speed button** to help prevent engine racing or dragging.

COMPACT 35A
WITH HYDROSTATIC
TRANSMISSION SHOWN



A large, step-through operator's platform provides easy entry and exit with plenty of room to maneuver, while an enhanced control layout turns novice users into expert operators.

- **A deluxe seat with armrests and an adjustable backrest** keeps you comfortable and lets you personalize your ride.
- **Hand and foot throttles** on Compact Farmall A series tractors **let you pick what's most comfortable for you or for the given task**. A cruise control feature—similar to operating a car or pick up—**eases operator fatigue**.

A Digital Dashboard and Gauges

B Electro-hydraulic PTO Engagement

C Tilting Steering Column

D Hand Throttle

E Brake Pedals

F Forward Reverse Levers

G Loader Joystick

H Transmission Shift Lever

I Adjustable Suspension Seat:

Flips forward to keep clean and dry



DELUXE COMPACT

COMPACT C SERIES

FARMALL COMPACT 35C/40C/45C/50C/55C | 35–55 ENGINE HP*

The deluxe Farmall compact C series tractors are available in cab and non-cab configurations, delivering an outstanding operator experience and features that maximize productivity.

STANDARD FEATURES:

- 3-cylinder, 1.9-L engine (Tier 4 B/Final)
- 12 × 12 mechanical transmission (35C & 40C)
- 16 × 16 mechanical transmission (45C, 50C & 55C)

OPTIONAL FEATURES:

- 3-range hydrostatic transmission with cruise control
- Mid-mount PTO

CONFIGURATIONS:

- 35C: Non-cab, MFD
- 40C: Cab, MFD
- 45C, 50C & 55C: Cab/non-cab, MFD



*See specs for details.



FARMALL COMPACT 35C/40C/45C/50C/55C

BUILT FOR CONVENIENCE AND PRODUCTIVITY

- A **standard loader joystick** is integrated into the right-hand console, for easier operation and greater productivity.
- Regular maintenance points are accessible without removing shields or opening the hood, while a **ground-level fuel tank** is positioned near the operator step for easy filling.
- For tasks that require a steady engine rpm, such as powering a spray pump or other PTO-driven implements, just press the **constant engine speed button** to help prevent engine racing or dragging.
- The standard **3-point hitch** features telescopic lower links and stabilizers to make attaching implements fast and easy.
- Farmall compact 35C and 40C models feature a **hitch lift capacity of 1,808 lb.**, while Farmall compact 45C, 50C and 55C models deliver a **hitch lift capacity of 2,756 lb.** to help you pull a variety of implements.

MAXIMUM VERSATILITY

- Farmall compact 35C and 40C models offer a standard **12×12 mechanical transmission**, while the Farmall compact 45C, 50C and 55C models feature a standard **16×16 mechanical transmission**.
- For added versatility, choose the **optional 3-range hydrostatic transmission** with a simple, comfortable 2-pedal operation—one forward and one reverse—as well as standard cruise control.
- Choose from **standard independent PTO with electro-hydraulic engagement** with 540 rpm or the **optional mid-PTO** with 2000 rpm for a mid-mount mower or front-mount snow blower.*
- A **two-position drawbar** comes standard, so you can customize hitched implements to your desired position.

*2,600 rated engine RPM

COMPACT 55C WITH
MECHANICAL TRANSMISSION
SHOWN



A **large, step-through operator's platform** provides easy entry and exit with plenty of room to maneuver, while an **enhanced control layout** turns novice users into expert operators.

- On cab models, stay comfortable no matter the weather with an **HVAC system and opening rear windows** for added circulation and visibility.
- A **deluxe seat with armrests and an adjustable backrest** keeps you comfortable and lets you personalize your ride.
- 360-degree sight lines are made possible by **large windows** on cab versions, while **front work lights and flashers** keep you working safely at all hours.
- Handy **storage compartments** let you pack what you need to stay productive throughout the day.
- A **thick rubber floor mat** reduces noise and vibration for a smoother, more comfortable ride (*cab configurations.*)

A Transmission Range Shift

B Clutch Pedal

C Forward/Reverse Synchro Shift

D Digital Display

E Electro-hydraulic PTO Engagement

F Hand Throttle

G Brakes

H Foot Throttle

I Seat Adjustment

J Loader Joystick

K Gear Shift

L 3-Point Hitch Lift Lever



CASE IH LOADERS ARE READY TO WORK FOR YOU

Find the right loader and attachment for your Case IH tractor.

Case IH loaders are easy to install—**just drive the tractor into the loader, put in the pins, attach the hydraulics and start working.**

Unobstructed forward sight lines let you easily see to the top of the bucket and around the front tires.

Optional rear weights and ballast boxes are also available for more demanding loader work.

MODEL	LOADER	MAX. LIFT CAPACITY 31.5 in. (800 mm) Forward of Pivot Pin		MAX. HEIGHT Under Level Bucket	
		Non Self-leveling (NSL)	Mechanical Self-leveling (MSL)	Non Self-leveling (NSL)	Mechanical Self-leveling (MSL)
<i>STANDARD COMPACT TRACTORS</i>					
35A, 40A	L340A	890 lb. (404 kg)		98 in. (2 500 mm)	
<i>DELUXE COMPACT TRACTORS</i>					
35C, 40C	L350A	1,540 lb. (699 kg)		105 in. (2 667 mm)	
45C, 50C, 55C	L360A	1,830 lb. (830 kg)		112 in. (2 852 mm)	

HOW TO REMOVE THE LOADER



STEP 1

Lower the bucket (or other attachment) to a firm, level ground. Remove the park stand legs from the stowed locations by removing the safety pins.



STEP 2

Unfold the park stand legs and secure the pins and safety pins.



STEP 3

Remove the safety pins and frame pins from the left and right sides.



STEP 4

Start the tractor and activate the loader valve control lever to fully retract lift cylinders until the park stands contact the ground and the mounting tubes raise from the frame.



STEP 5

Disconnect the hydraulic hoses.



STEP 6

Make sure the loader has unattached from the loader frame and back the tractor out slowly.



A FULL LINE OF ATTACHMENTS

Case IH offers a full line of loader attachments for a variety of material handling chores compatible with all Farmall compact series tractors.

QUICK AND EASY ATTACHMENTS

- Bale Forks
- Bale Spears
- Bale Splits
- Buckets
- Loader Accessories
- Manure Forks
- Pallet Forks



Discover a full line of loader attachments for a variety of material handling chores.

HOW TO ATTACH/REMOVE LOADER ATTACHMENT

HOW TO REMOVE LOADER ATTACHMENT



STEP 1

Raise both locking levers up to unlock.



STEP 2

With the bucket flat on the ground, push loader "pads" away from the attachment.



STEP 3

Simultaneously back away while pushing loader "pads" away from the bucket to unhook the attachment.

HOW TO ATTACH LOADER ATTACHMENT



STEP 1

Line up loader "pads" to grooves in attachment.



STEP 2

Push loader "pads" so they're flat to the attachment.



STEP 3

Lower both locking levers down to lock.



A FULL LINE OF IMPLEMENTS

With a heavy-duty 3-point hitch, high-capacity responsive hydraulics and independent PTO, your Farmall compact series tractor is ready for action with any of the following Case IH implements:

QUICK AND EASY IMPLEMENTS

- Backhoes
- Blades
 - Box Blades
 - Front Blades
 - Rear Blades
- Brooms - Front Brooms
- Disk Harrow
- Landscape Rake
- Mowers
 - Finish Mowers
 - Mid-Mount Mowers
 - Rotary Cutters
 - Tillers
- Snow Blowers



Discover a full line of implements for a variety of material handling chores.



BACKHOES

Portable, flexible and strong, Case IH backhoes let you confidently dig in tight quarters. Lightweight enough for one person to attach and remove within minutes and rugged enough to work hard all day.



BALLAST BOXES

A properly ballasted tractor is a more efficient tractor. Ballast boxes can improve safety when using front-end loaders or three-point mounted equipment such as mowers or sprayers, when performing tillage or moving heavy hay bales.



BROOMS

Quickly clear away debris, leaves, grass-clippings or gravel. Easy to attach and remove from your tractor without tools.



BLADES - BOX BLADES

Ideal for fast, efficient leveling, grading, scraping and backfilling. Available in eight models featuring 4- to 8-ft. working widths.



BLADES - FRONT

Case IH Quick-Attach front blades make it easy to move or level sand, dirt, snow and gravel. The blade is available 72 or 84 in. sizes, and the convenient Quick-Attach subframe lets you attach and remove the blade without tools.



BLADES - REAR

Case IH Work EZ® rear blades are perfect for landscape grading, seedbed preparation, cleanup, snow removal, and more. Nine models are available from 5- to 9-ft. working widths. Designed to fit any 30-100 HP tractors with a 3-point hitch.



DISK HARROWS

Case IH disk harrows loosen soil, chop weeds and break through crop residue. 20 quality constructed 18 in. steel disks that can cut up to 6 in. deep.



LANDSCAPE RAKES

The rugged landscape rake line from Case IH includes rakes designed for precision soil preparation such as leveling, grading and topsoil spreading. There's also a Case IH rock rake that makes quick work of removing rocks and cleaning debris.



FINISH MOWERS

Our range of finish mowers keep lawns of all sizes looking their best – without extra time or effort. We have the finish mowers to cut acreages down to size fast all with easy maintenance and long life.



MID-MOUNT MOWERS

Case IH mid-mount mowers make it easy to maneuver next to buildings or landscaped beds. Select from two cutting widths with side discharge. Compatible with Case IH loaders.



ROTARY CUTTERS

Case IH rotary cutters can handle everything from light-duty ground maintenance to large commercial applications. Available from 4-15 ft.



ROTARY TILLER

Case IH rotary tillers are perfect for preparing seedbeds or controlling weeds. Feature sturdy steel decks, box-steel frames and handy lubrication points for years of reliable service.



SNOW BLOWERS

Power through big drifts with a Case IH front snow blower. The two-stage design quickly clears any type of snow you'll face, from light and fluffy to wet and hard-packed. These snow blowers are easy to attach and remove without tools.



MODEL	FARMALL 35A	FARMALL 35C	FARMALL 40A	FARMALL 40C	FARMALL 45C	FARMALL 50C	FARMALL 55C
SERIES CLASSIFICATION	STANDARD	DELUXE	STANDARD	DELUXE			
BACKHOES							
BHA90	✓	✓	✓	✓	✓	✓	✓
BHA102		✓		✓	✓	✓	✓
BLADES							
BM172H (Front Blade)	✓	✓	✓	✓	✓	✓	✓
EZ48BL / EZ60BL / EZ60BM (Box Blade)	✓	✓	✓	✓			
EZ72BM (Box Blade)	✓	✓	✓	✓	✓	✓	✓
EZ84BM (Box Blade)					✓	✓	✓
EZ60SM (Rear Blade)	✓	✓	✓	✓			
EZ72SM (Rear Blade)	✓	✓	✓	✓	✓	✓	✓
EZ84SM / EZ84SH (Rear Blade)					✓	✓	✓
FINISH MOWERS							
MW366S (Mid-Mount, Side Discharge)	✓	✓	✓	✓	✓	✓	✓
MW272S (Mid-Mount, Side Discharge)					✓	✓	✓
RR60 (Rear-Mount, Rear Discharge)	✓	✓	✓	✓			
RR72 / RR90 (Rear-Mount, Rear Discharge)	✓	✓	✓	✓	✓	✓	✓
RR144 (Rear-Mount, Rear Discharge)							✓
LANDSCAPE RAKES							
EZ72LR/ EZ84LR	✓	✓	✓	✓	✓	✓	✓
ROTARY BROOMS							
BR172 (Front Broom)	✓	✓	✓	✓	✓	✓	✓
ROTARY CUTTERS							
RC480 / RC600 (Economy)	✓	✓	✓	✓			
RC720 (Economy)	✓	✓	✓	✓	✓	✓	✓
RC605 (Standard-Duty)	✓	✓	✓	✓	✓	✓	
RC725 (Standard-Duty)	✓	✓	✓	✓	✓	✓	✓
RC840 / RC845 (Standard-Duty) / RC727 (Heavy Duty)		✓		✓	✓	✓	✓
SNOW BLOWERS							
BS163H (Front Blower)	✓	✓	✓	✓	✓	✓	✓
BS174H (Front Blower)		✓		✓	✓	✓	✓
TILLERS AND DISK							
TL160 (Rotary Tiller)	✓	✓	✓	✓			
TL172H (Rotary Tiller)		✓		✓	✓	✓	✓
EZ78DC (Disk Harrow)	✓	✓	✓	✓	✓	✓	✓



Agricultural tread (R-1)






Turf tread (R-3)



Industrial tread (R-4)

TIRE SELECTIONS AVAILABLE FROM THE FACTORY

FARMALL COMPACT MODEL	35A	35C	40A	40C	45C	50C	55C
SERIES CLASSIFICATION	STANDARD	DELUXE	STANDARD	DELUXE			
 Agricultural tread (R-1)	✓	✓	✓	✓	✓	✓	✓
 Turf tread (R-3)	✓	✓	✓	✓	✓	✓	✓
 Industrial tread (R-4)	✓	✓	✓	✓	✓	✓	✓

MODEL	FARMALL 35A	FARMALL 35C	FARMALL 40A	FARMALL 40C
<i>SERIES CLASSIFICATION</i>	<i>STANDARD</i>	<i>DELUXE</i>	<i>STANDARD</i>	<i>DELUXE</i>
Operator Station	Non-cab			Cab
Traction	MFD			
ENGINE				
Type	3-cylinder, Tier 4 B/Final, turbocharged		3-cylinder, Tier 4 B/Final, turbocharged	
Displacement	1.9 L			
Engine HP*	35		40	
PTO HP* (Mechanical Trans./Hydrostatic Trans.)	29.7 / 28		34 / 32	
Rated Engine RPM	2,600			
TRANSMISSION / PTO				
Standard	12 × 12 Mechanical shuttle with synchro shift (dry clutch)			
Optional	3-range Hydrostatic			
Differential Lock	Mechanical			
MFD Engagement	Electro-hydraulic			
PTO Speed (Standard / Optional Mid-PTO)	540 / 2,000			
AXLES				
Front	Mechanical Front Drive (MFD)			
Rear	Flanged			
HYDRAULICS / HITCH				
Type	Open center			
Rear Remotes (Standard / Optional)	0 / 1	1 / 2	0 / 1	2
Implement Pump / Flow	8.2 gpm (31 L)			
3-point Hitch Category and Draft Sensing Type	1, Mechanical Draft Control (MDC)			
Lower Link End / Stabilizer Type	Fixed ends / Telescopic Stabilizers			
Lift Capacity @ 24 in. Behind Pin (Standard / Optional)	1,808 lb. (821 kg) / Not offered			
CAPACITIES				
Fuel Tank (Cab / Non-Cab)	Not offered / 7.4 gal. (28 L)	Not offered / 10.5 gal. (40 L)	Not offered / 7.4 gal. (28 L)	12.4 gal. (47 L) / Not offered
Diesel Exhaust Fluid Tank	No DEF required			
DIMENSIONS & WEIGHTS				
Wheelbase (Cab / Non-cab)	Not offered / 67.3 in. (1 710 mm)	Not offered / 66 in. (1 675 mm)	Not offered / 67.2 in. (1 707 mm)	66 in. (1 675 mm) / Not offered
Overall Length (Cab / Non-cab)	Not offered / 122.5 in. (3 112 mm)			128.1 in. (3 253 mm) / Not offered
Minimum Height (ROPS Folded)	68.2 in. (1 732 mm)	74.1 in. (1 882 mm)	68.2 in. (1 732 mm)	Not offered
Overall Height (Top of Cab / ROPS)	Not offered / 93.5 in. (2 375 mm)			93.3 in. (2 369 mm) / Not offered
Weight (Cab / Non-Cab)	Not offered / 3,067 lb. (1 391 kg)	Not offered / 3,175 lb. (1 440 kg)	Not offered / 3,067 lb. (1 391 kg)	3,803 lb. (1 725 kg) / Not offered

*At rated engine RPM

MODEL	FARMALL 45C	FARMALL 50C	FARMALL 55C
<i>SERIES CLASSIFICATION</i>	<i>DELUXE</i>		
Operator Station	Cab/Non-cab		
Traction	MFD		
ENGINE			
Type	3-cylinder, Tier 4 B/Final, turbocharged		
Displacement	1.9 L		
Engine HP*	45	50	55
PTO HP* (Mechanical Trans./Hydrostatic Trans.)	38.2 / 36	42.5 / 40	46.7 / 44
Rated Engine RPM	2,600		
TRANSMISSION / PTO			
Standard	16 × 16 Mechanical shuttle with synchro shift (dry clutch)		
Optional	3-range Hydrostatic		
Differential Lock	Mechanical		
MFD Engagement	Electro-hydraulic		
PTO Speed (Standard / Optional Mid-PTO)	540 / 2,000		
AXLES			
Front	Mechanical Front Drive (MFD)		
Rear	Flanged		
HYDRAULICS / HITCH			
Type	Open center		
Rear Remotes (Standard / Optional)	Cab: 2 / Non-cab: 1 / 2		
Implement Pump / Flow	8.2 gpm (31 L)		
3-point Hitch Category and Draft Sensing Type	1, Mechanical Draft Control (MDC)		
Lower Link End / Stabilizer Type	Flex ends / Telescopic stabilizers		
Lift Capacity @ 24 in. Behind Pin (Standard / Optional)	2,756 lb. (1 250 kg) / Not offered		
CAPACITIES			
Fuel Tank (Cab / Non-Cab)	12.4 gal. (47 L) / 10.5 gal. (40 L)		
Diesel Exhaust Fluid Tank	No DEF required		
DIMENSIONS & WEIGHTS			
Wheelbase (Cab / Non-cab)	73.2 in. (1 860 mm) / 73.2 in. (1 860 mm)		
Overall Length (Cab / Non-cab)	128.1 in. (3 253 mm) / 128.1 in. (3 253 mm)		
Minimum Height (ROPS Folded)	78.6 in. (1 996 mm)		
Overall Height (Top of Cab / ROPS)	93.3 in. (2 370 mm) / 97.1 in. (2 467 mm)		
Weight (Cab / Non-Cab)	4,453 lb. (2 020 kg) / 3,770 lb. (1 710 kg)		

*At rated engine RPM



SAFETY NEVER HURTS![™] Always read the Operators Manual before operating any equipment. Inspect equipment before using it, and be sure it is operating properly. Follow the product safety signs, and use any safety features provided. CNH Industrial America LLC reserves the right to make improvements in design and changes in specifications at any time without notice and without incurring any obligation to install them on units previously sold. Specifications, descriptions and illustrative material herein are as accurate as known at time of publication, but are subject to change without notice. Availability of some models and equipment builds varies according to the country in which the equipment is used.

©2022 CNH Industrial America LLC. All rights reserved. Case IH is a trademark registered in the United States and many other countries, owned by or licensed to CNH Industrial N.V., its subsidiaries or affiliates. Any trademarks referred to herein, in association with goods and/or services of companies other than CNH Industrial America LLC, are the property of those respective companies. Printed in U.S.A. www.caseih.com CIH22041801

CASE IH